



RF Components

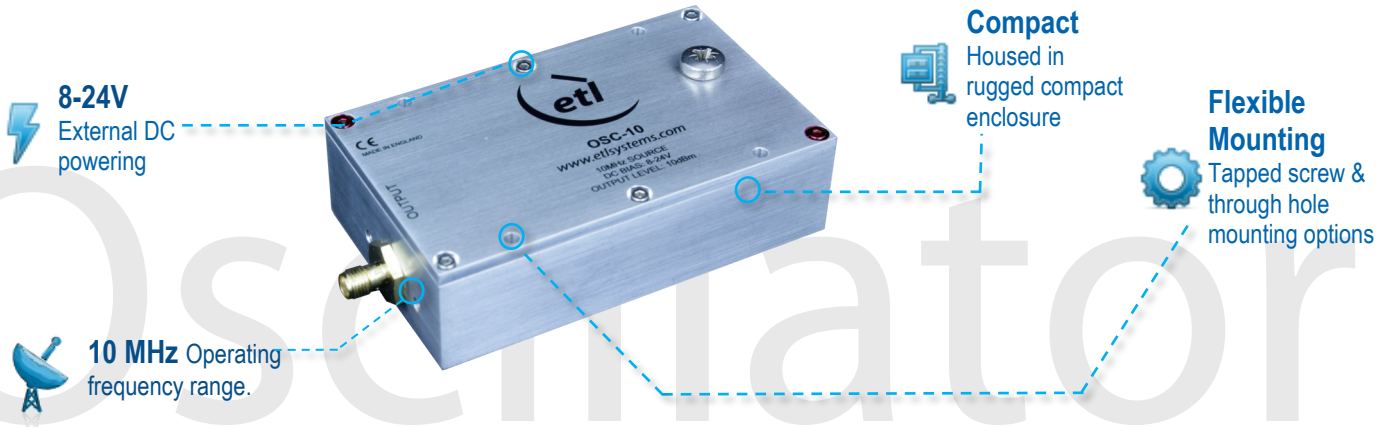
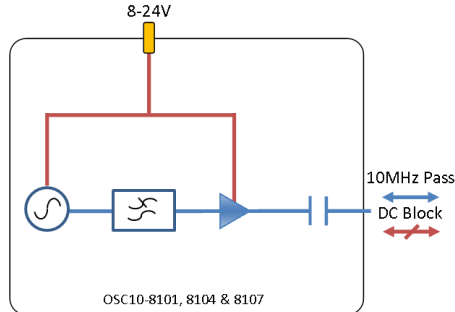
10 MHz Oscillator

Model Number:
OSC-10-8107

- 10 MHz Ovenised Reference Frequency Oscillator
- Excellent Frequency Stability vs Temperature & Time
- Output Level 0 dBm

Available with RF connector options:

- 50 Ω SMA
- 50 Ω N-type
- 50 Ω BNC
- 75 Ω BNC
- 75 Ω F-type



RF Parameters					
OSC-10-8107	S5S5	N5N5	B5B5	B7B7	F7F7
Frequency Range	10 MHz				
RF Connectors	50Ω SMA	50Ω N-Type	50Ω BNC	75Ω BNC	75Ω F-Type
Output Level (dBm)	0 ± 2.5	0 ± 2.5	0 ± 2.5	0 ± 2.5	0 ± 2.5
Return Loss (dB)	Typ.	18	18	15	15
	Min	10	10	10	8

Broadcast



Marine Oil & Gas



SNG & VSAT



Satellite Teleport



Technical specifications and operating parameters

Phase Noise Characteristics (dBc/Hz)	
1Hz	<-85
10Hz	<-115
100Hz	<-140
1000Hz	<-150
10000Hz	<-155

10MHz Source Characteristics		
Frequency Setting	10±0.000001 MHz	
Output Type	Sinewave	
Harmonic Rejection	2nd	>60 dB
	3rd	>50 dB
	4th	>60 dB
	5th	>60 dB

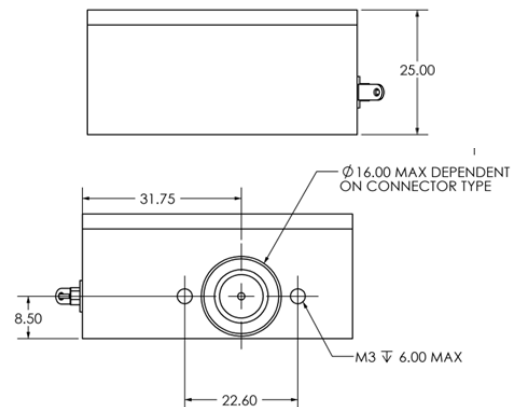
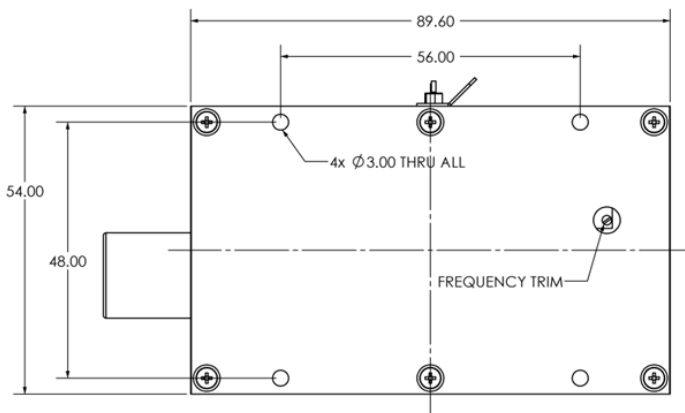
Environmental	
Operating Temperature	0°C to +55°C
Storage Temperature	-20°C to +75°C
Location	Indoor use Only
Humidity	Max 85% non-condensing
Altitude	Max 10,000 feet

Oscillator Characteristics	
Frequency Stability	
Over temperature*	< ± 3x10 ⁻⁸
Short Term Stability (per second)	< ± 1x10 ⁻¹¹
Load change	< ± 5x10 ⁻⁹
Power Supply Variations	< ± 5x10 ⁻⁹
Stability with Aging	
Per Day	<± 2x10 ⁻⁹
Per Year	<± 5x10 ⁻⁷

Max Operating Parameters	
Input RF Power	+16 dBm (40mW)
DC Voltage	26V on Bias Port
DC Current	Max N/A
DC Consumption	1000mA on start-up, 400mA Steady State

! Operation beyond these limits may cause instantaneous and permanent damage.

Physical Dimensions (mm)



Note: The specification is subject to regular reviews and will be updated from time to time as part of our continuing product development and improved specification accuracy.